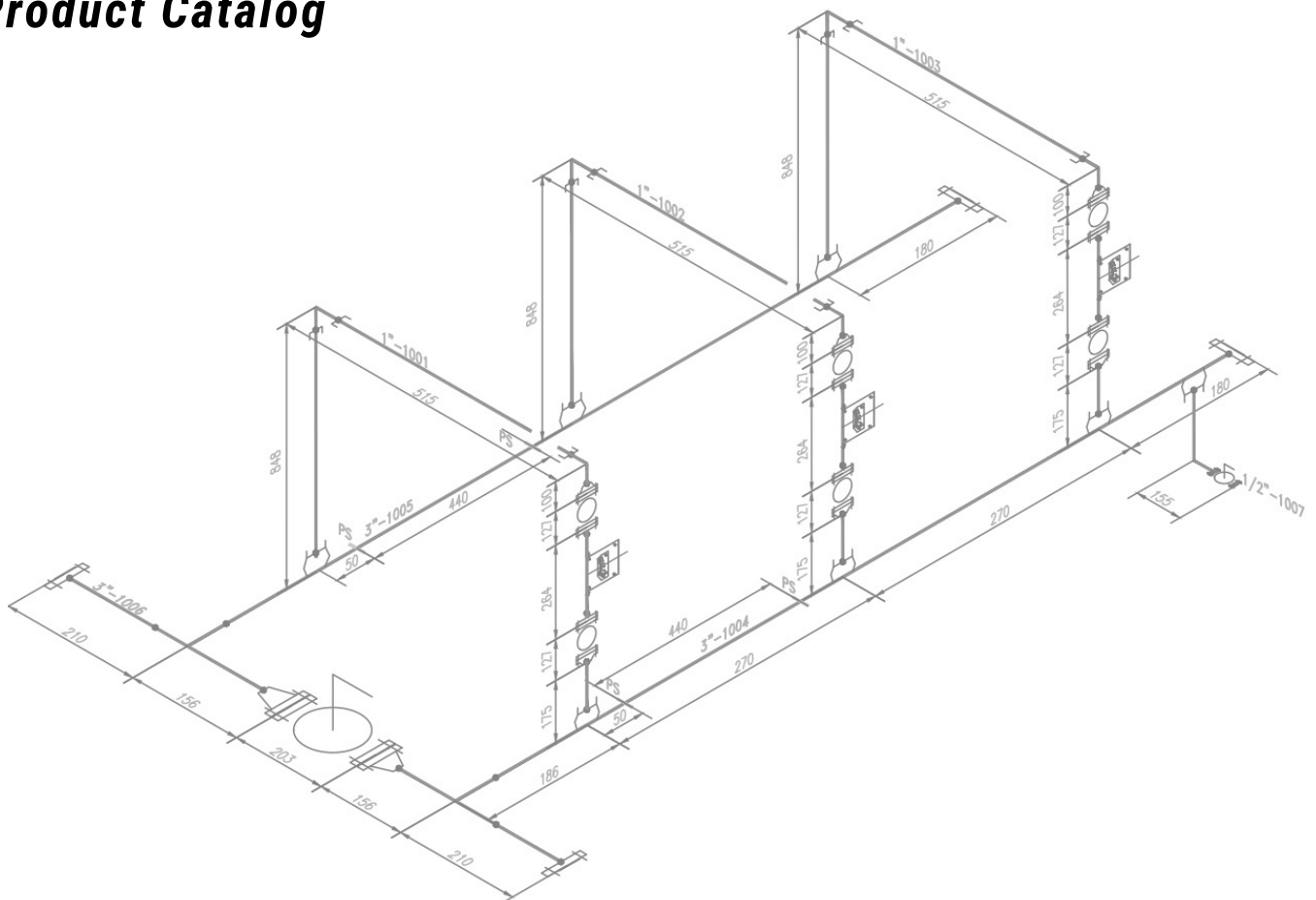


LOW GAS METERING SKID

Product Catalog



LOW GAS METERING SKID

- VDTC Specializes in various type of metering skids for assurance/verification/measurement of natural gas.
- Our designs are made to achieve desired process parameters for production and well testing applications. We Design, Fabricate, Manufacture, Test and Supply customized gas metering skids with a different type of metering devices as per the client requirement.
- Along with the accessories to meet the highest standard of safety, performance, and reliability in accordance with global regulatory standard and guidelines.

TECHNICAL FEATURES

- Light Weight Design for easy lifting with
- No extra weight on the top side
- Metal type rotameters with a special type
- Of Teflon coating for Sour services
- All wetted parts are of stainless steel 316
- 3" Fig 602 Inlet outlet connection made for
- Quick connection with regular rig piping



SPECIAL FEATURES

- Metering Skids Ranges from minimum 40 LPM to 440, 500, 700 LPM, Low Gas measurement.
- Rig up and Rig down of the skid is like plug and Play for operator.
- Designed for the Oil-Gas industry, meeting today's user and contactor's Low Gas Measurement Requirement.



APPLICATIONS

- To measure minimum to maximum flow range with 3 meters.
- To easily move on offshore for well-testing purposes.
- Rotameters are mechanical devices that do not require power to provide flow measurement.





An ISO 9001: 2015 Certified Company.

OFFICE:

OFFICE 602, SIXTH FLOOR, MIRAGE
ARCADE CHS LTD, NEHRU ROAD,
OPP. GANESH MANDIR ROAD,
DOMBIVLI EAST, 421201

PLANT:

PLOT F-50 ANAND NAGAR
ADDITIONAL MIDC, BEHIND ASB
INTERNATIONAL PVT. LTD
FACTORY AMBERNATH, 421506

CONTACT

VAIBHAV C. DATE
+91 8097902746

CONTACT

SWAPNIL BHARAMBE
+91 9222853155

WEB

WWW.VDTECHNOLOGYCENTER.COM