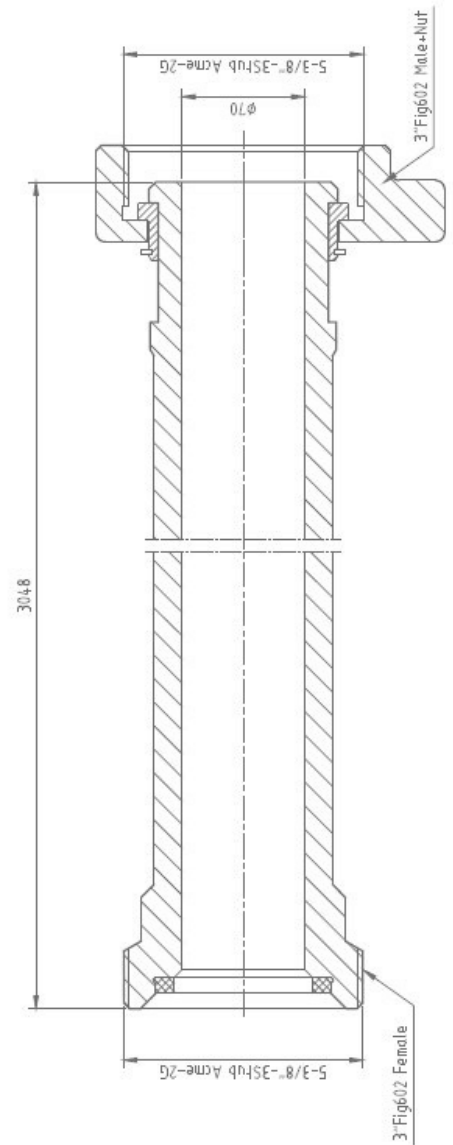
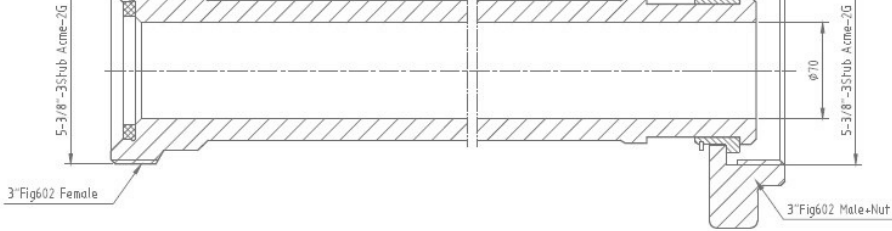


# PUP JOINT

## Product Catalog





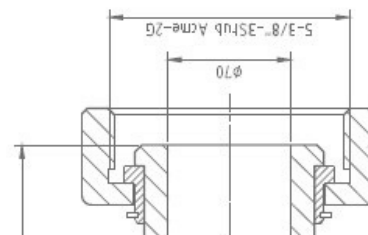
# PUP JOINT

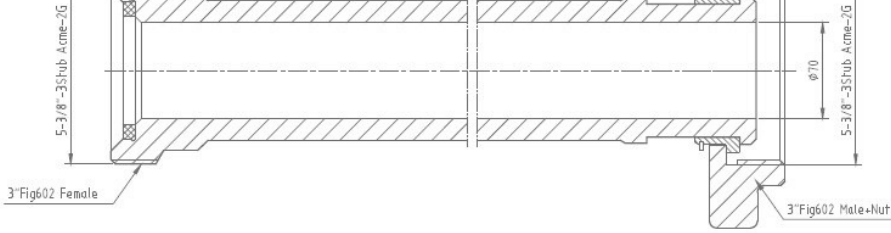
- VDC Pup joints are available for 2" & 3" of nominal pipe sizes for CWP 10,000 to 15000 Psi.
- 4" of the nominal pipe size is available upon the customer's request.
- 15,000 Psi for standard service, 10,000 psi for H2S Service.

# TECHNICAL FEATURES



Size	Union End	CWP (PSI)	Length							
1"	1502 M x F	15,000	1ft	2ft	3ft	4ft	5ft	6ft	8ft	10ft
	<b>Part No.</b>		PJ2F110101	PJ2F110102	PJ2F110103	PJ2F110104	PJ2F110105	PJ2F110106	PJ2F110101	PJ2F110110
	1502 M x F	15,000	12ft	15ft	20ft					
	<b>Part No.</b>		PJ2F110112	PJ2F110115	PJ2F110120					
2"	1502 M x F	15,000	1ft	2ft	3ft	4ft	5ft	1ft	1ft	10ft
	<b>Part No.</b>		PJ3F110101	PJ3F110102	PJ3F110103	PJ3F110104	PJ3F110105	PJ3F110106	PJ3F110108	PJ3F110110
	1502 M x F	15,000	12ft	15ft	20ft					
	<b>Part No.</b>		PJ3F110112	PJ3F110115	PJ3F110120					



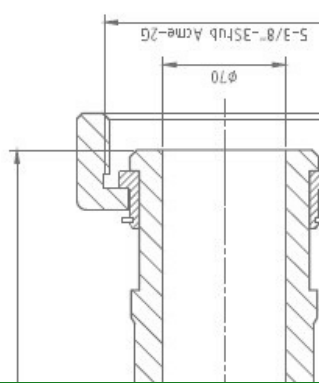


# SPECIAL FEATURES

- Pup Joints are shorter versions of tubing and casing, used to adjust the length of a string to its exact requirements.
- Pup Joints are a mandatory part of equipment in almost any well. Due to their shorter length, they are typically easier to handle and to use. At the same time, they provide the same performance as the tubing/casing/drill pipe that they are attached to.



Size	Union End	CWP (PSI)	Length							
			1ft	2ft	3ft	4ft	5ft	6ft	8ft	10ft
2"	1502 M x F	15,000								
	<b>Part No.</b>		PJ2F110101	PJ2F110102	PJ2F110103	PJ2F110104	PJ2F110105	PJ2F110106	PJ2F110101	PJ2F110110
3"	1502 M x F	15,000								
	<b>Part No.</b>		PJ3F110101	PJ3F110102	PJ3F110103	PJ3F110104	PJ3F110105	PJ3F110106	PJ3F110108	PJ3F110110







**An ISO 9001: 2015 Certified Company**

**OFFICE:**

OFFICE 602, SIXTH FLOOR, MIRAGE  
ARCADE CHS LTD, NEHRU ROAD,  
OPP. GANESH MANDIR ROAD,  
DOMBIVLI EAST, 421201

**PLANT:**

PLOT F-50 ANAND NAGAR  
ADDITIONAL MIDC, BEHIND ASB  
INTERNATIONAL PVT. LTD  
FACTORY AMBERNATH, 421506

**CONTACT**

VAIBHAV C. DATE  
+91 8097902746

**CONTACT**

SWAPNIL BHARAMBE  
+91 9222853155

**WEB**

[WWW.VDTECHNOLOGYCENTER.COM](http://WWW.VDTECHNOLOGYCENTER.COM)